

SDA200 series

Serial Digital distribution amplifier

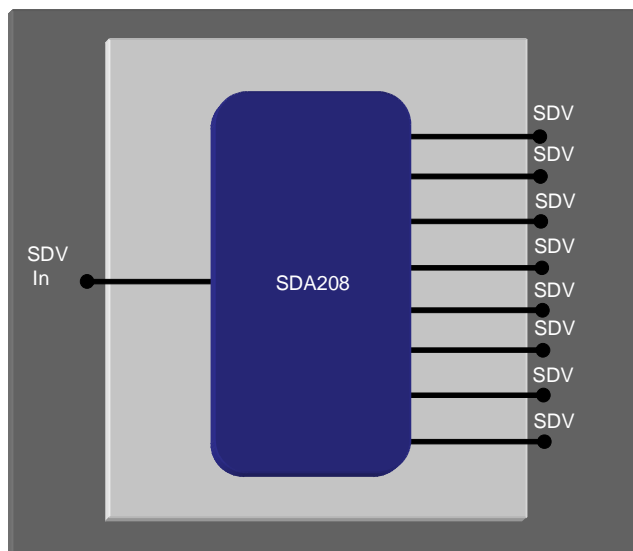
INSERTERS

SWITCHES

CONVERSION

KEYERS

MIXERS



Up to 8 reclocked outputs

Data rate up to 360 Mb/s

Reclocking outputs

Auto data rate detection



As part of the Series 200 range, Microvideo offer basic distribution amp modules. These are reclocking distribution amps. They have equalisation for up to 300M of high quality co-ax cable. The SDA204 module has 4 serial digital re-clocked outputs and the SDA208 has 8 outputs. Optional EDH processing of outputs is available. These cards are part of the Series 200 and can be mixed in our 1U or 3U frames with other cards in the range.

MicroVideo

Copley Hill Farm
Babraham
Cambridge
England, CB22 3GN
t: +44 (0) 1223 834119
f: +44 (0) 1223 834471
w: www.microvideo.co.uk

SDA200 series

Technical Information

INSERTERS

SWITCHES

CONVERSION

KEYERS

MIXERS

Inputs:	Serial digital video of various data rates (143, 177, 270 and 360 Mb/s).																
Outputs:	Equalised and reclocked serial output(s) for SDV (270Mb/s). Output Level: 800mV pp into 75R, DC offset <500mV. Additive jitter: <250pS. Optional recalculation of EDH.																
Control:	None needed for setup or maintenance. On board links allow for manual setting of the data rate frequency. This overrides the auto detection feature. Alarm outputs are available when EDH calculation is specified.																
Physical:	Eurocard size module for mounting in our 1U or 3U frames.																
Power usage:	<2W.																
Frames:	Up to 6 modules will fit in a Microvideo 1U frame and 15 in a 3U frame. They may be mixed with other Microvideo Series 200 boards in the same frame.																
Ordering:	<table><tr><td>SDA204</td><td>Serial Digital Video DA module, 4 reclocked digital outputs</td></tr><tr><td>SDA208</td><td>Serial Digital Video DA module, 8 reclocked digital outputs</td></tr><tr><td>SDE204</td><td>SDV DA module, 4 reclocked digital outputs with EDH processing</td></tr><tr><td>SDE208</td><td>SDV DA module, 8 reclocked digital outputs with EDH processing</td></tr><tr><td>FR1U-20</td><td>1U rack mounting frame for series 200 cards (dual PSU)</td></tr><tr><td>FR3U-10</td><td>3U rack mounting frame for series 200 cards (single PSU)</td></tr><tr><td>FR3U-20</td><td>3U rack mounting frame for series 200 cards (dual PSU)</td></tr><tr><td>-CB</td><td>Control Bus wiring for 3U frame</td></tr></table>	SDA204	Serial Digital Video DA module, 4 reclocked digital outputs	SDA208	Serial Digital Video DA module, 8 reclocked digital outputs	SDE204	SDV DA module, 4 reclocked digital outputs with EDH processing	SDE208	SDV DA module, 8 reclocked digital outputs with EDH processing	FR1U-20	1U rack mounting frame for series 200 cards (dual PSU)	FR3U-10	3U rack mounting frame for series 200 cards (single PSU)	FR3U-20	3U rack mounting frame for series 200 cards (dual PSU)	-CB	Control Bus wiring for 3U frame
SDA204	Serial Digital Video DA module, 4 reclocked digital outputs																
SDA208	Serial Digital Video DA module, 8 reclocked digital outputs																
SDE204	SDV DA module, 4 reclocked digital outputs with EDH processing																
SDE208	SDV DA module, 8 reclocked digital outputs with EDH processing																
FR1U-20	1U rack mounting frame for series 200 cards (dual PSU)																
FR3U-10	3U rack mounting frame for series 200 cards (single PSU)																
FR3U-20	3U rack mounting frame for series 200 cards (dual PSU)																
-CB	Control Bus wiring for 3U frame																

MicroVideo

Copley Hill Farm
Babraham
Cambridge
England, CB22 3GN
t: +44 (0) 1223 834119
f: +44 (0) 1223 834471
w: www.microvideo.co.uk