

# KEY-S10

Serial Digital Keyer / Mixer

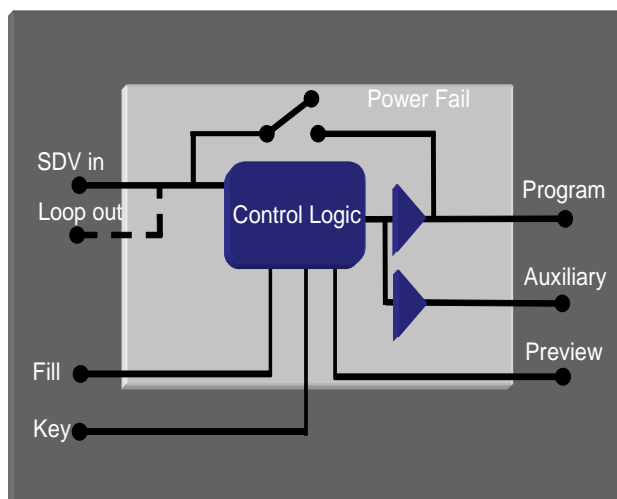
INSERTERS

SWITCHES

CONVERSION

KEYERS

MIXERS



Full 10 bit digital keying

Front panel control

Preview output

Power-fail bypass

Full control of key processing

The KEY-S10 allows captions or logos to be added to a background picture. They can be faded in and out with transitions initiated by GPI, RS232 or front panel. Front panel or Remote Control gives access to key processing with control of gain and offset. A mix function allows a fade between 2 sources so that it can also be used as a simple two channel fader. The Keyer is transparent to embedded audio and other ancillary data. A preview output allows you to view the effect of adding the caption or logo before actually keying onto the main program output.

**Inputs:** 3 x SDV (Background, Key, and Foreground/Fill).  
Serial Digital Video (270Mb/s) to EBU Tech. 3267-E (SMPTE259M).

**Outputs:** 2 x SDV, Program (PGM) and Auxiliary (AUX) out. (Power bypass relay connects SDV in to PGM out).  
Serial Digital Video (270Mb/s) to EBU Tech. 3267-E (SMPTE259M).

**Control:** The KEY-S10 has a full function local control panel with backlit LCD display. GPI inputs can initiate key fades up and down. RS422 / RS232 allows a Microvideo Remote Panel or an automation system to control the keyer.

**Physical:** 1U frame, 6Kg, 420mm deep.

**Ordering:** KEY-S10 Down stream keyer/mixer  
-DM Optional dual mains inlet and transformer

MicroVideo

Copley Hill Farm  
Babraham  
Cambridge  
England, CB22 3GN  
t: +44 (0) 1223 834119  
f: +44 (0) 1223 834471  
w: www.microvideo.co.uk