

FLG

Flash Logo Generator

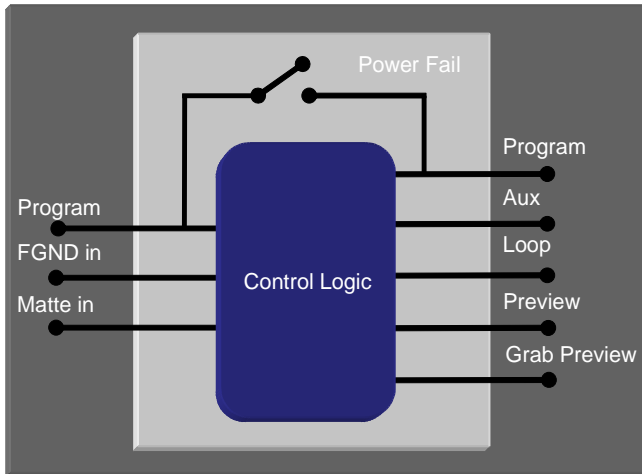
INSERTERS

SWITCHES

CONVERSION

KEYERS

MIXERS



In system programming

Integrated down stream keyer

Full feature preview

Power-fail bypass

Remote control options



The Flash Logo Generator is designed to add logos or station idents onto the outgoing picture in a serial digital video (SDV) installation. It is an integrated logo generator and down stream keyer in a single 1U rack mounting frame.

Storage

The logos are stored in flash memory. This can be programmed 'in-system' and retains the data when the power is switched off. The logos can be 'grabbed' (programmed) through an SDV input. This allows direct transfer from your graphics system into the logo generator. The logos can be full colour and have transparent elements within them.

Keying

All keying is done internally with a digital linear keyer. Transition time can be set for timed fades of the logo. Transitions can be activated by GPI.

Full Feature Preview

The Flash Logo Gen has two previews. A grab preview output allows you to view the logo you are about to grab and a logo preview output to see the next logo to be faded on air. The logo preview shows the logo keyed over the background program feed to allow you to see exactly how it will look. The vertical and horizontal position of this logo can be adjusted before being put on air.

Control

Front panel controls, with an LCD display, allow direct operation of the Flash Logo Generator but it is also possible to control the unit via RS232/422 from our remote panels or an automation system. The Flash Logo Generator is transparent to embedded audio and VBI data. This is passed to the program output from the background input feed. A power fail bypass relay connects the background input to the program output in the event of loss of power to the unit.

MicroVideo

Copley Hill Farm
Babraham
Cambridge
England, CB22 3GN
t: +44 (0) 1223 834119
f: +44 (0) 1223 834471
w: www.microvideo.co.uk

FLG-S1 - Single store version

This unit stores up to 8 logos. Logos can be selected on the preview output only when the main program output does not have a logo on air. Logos can be programmed only when the main program output does not have a logo on air.

FLG-S2 - Double store version

This stores up to 16 logos in two stores. By having two separate storage areas for the logos, it is possible to program a new logo while the current logo is still on air. This allows rapid change from one logo to another. The logo can be faded in and out, with adjustable transition times. It even possible to fade from one logo to another, while both are keyed over the background. The output can also be faded to black.

Inputs: 3 x Serial Digital Video, (270Mb/s) according to SMPTE 259M
'Program in', 'Grab Matte in' and 'Grab Foreground in'.
A passive bypass relay connects the Prog In to the Prog Out in the event of power loss.

Outputs: 5 x Serial Digital Video (270Mb/s) to SMPTE 259M.
'Loop', 'Program out', 'Grab Preview out' 'Aux out' and 'Preview out'.

Control: 1 x RS232, 1 x RS422 on 9 way D-types for connection to remote panels or an automation system.
2 x GPI inputs and tally output. GPIs activate Fade up and Fade down.

Storage: Non volatile Flash memory storing logos up to 512x256 pixels or full frame images.

Three different configurations can be offered:

- 8 logos*
- 1 full frame and 4 logos*
- 2 full frames*

The storage capacity is doubled for the FLG-S2.
Configuration must be specified when ordering.

Physical: 1U rack mounting frame, 420mm deep.

Power usage: 90W

Ordering: FLG-S1 Flash Logo Generator with storage for 8 logos
FLG-S2 Flash Logo Generator with storage for 16 logos