

ENC210RGB

D to A for RGB/YUV and PAL/NTSC

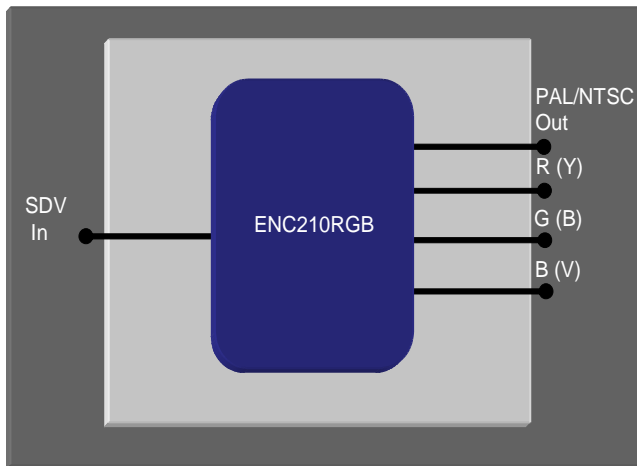
INSERTERS

SWITCHES

CONVERSION

KEYERS

MIXERS



SDI to PAL / NTSC

SDI to RGB / YUV

High performance 10 bit conversion

Internal test signal



The ENC210RGB utilises the latest technology to offer high quality PAL coding at a cost effective price. The PAL/NTSC coder is fully digital, providing excellent stability. It uses over-sampling conversion giving excellent performance at low cost. The subcarrier frequency is digitally synthesised and for PAL incorporates the correct 25Hz offset. The card also simultaneously produces RGB(or YUV) outputs. The full range of digital input values are converted allowing sub-black and above white signals to pass. The VBI can be either blanked or passed through making this board suitable for conversion of teletext and other VBI data.

MicroVideo

Copley Hill Farm
Babraham
Cambridge
England, CB22 3GN
t: +44 (0) 1223 834119
f: +44 (0) 1223 834471
w: www.microvideo.co.uk

ENC210RGB

Technical Information

INSERTERS

SWITCHES

CONVERSION

KEYERS

MIXERS

- Inputs:** SDV 270Mb/s serial digital component video to EBU Tech. 3267-E, (SMPTE 259M).
- Outputs:** Composite NTSC/PAL. All outputs on BNC (75R).
Analogue component RGB/YUV output.
The ENC212RGB will also give 2 x reclocked serial output for SDV (270Mb/s).
The ENC210RGB module has the capability to provide different output configurations.
Contact Microvideo to discuss your requirements.
- Control:** Adjustment of analogue video gain is provided by on board adjustment pot.
Test Mode internally generates colour bars or a modulated ramp on the PAL/NTSC outputs.
PAL / NTSC is set by DIP switches.
RGB/YUV set by DIP switch.
LED's indicate - SDV input present.
On board links allow the PAL/NTSC output to be set to the component SYNC.
- Physical:** Eurocard size module for mounting in our 1U or 3U frames.
- Power usage:** 8W
- Frames:** Up to 6 modules will fit in a Microvideo 1U frame and 15 in a 3U frame.
- Ordering:**
- | | |
|-----------|--|
| ENC210RGB | SDV to RGB/YUV and PAL/NTSC module, 10 bit |
| ENC210RGB | SDV to RGB/YUV and PAL/NTSC module, 10 bit, 2 x SDV out |
| FR1U-20 | 1U rack mounting frame for series 200 cards (dual PSU) |
| FR3U-10 | 3U rack mounting frame for series 200 cards (single PSU) |
| FR3U-20 | 3U rack mounting frame for series 200 cards (dual PSU) |

MicroVideo

Copley Hill Farm
Babraham
Cambridge
England, CB22 3GN
t: +44 (0) 1223 834119
f: +44 (0) 1223 834471
w: www.microvideo.co.uk