

DMX200

De-multiplexer for embedded audio

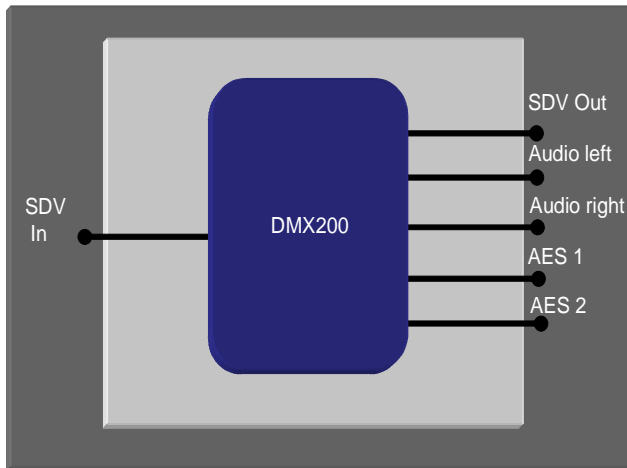
INSERTERS

SWITCHES

CONVERSION

KEYERS

MIXERS



AES/EBU de-embedder

Analogue headphone output

Analogue out of channels 1&2 or 3&4

Power fail bypass relay

Output muting if no AES detected



The DMX200 module extracts AES/EBU digital audio that has been embedded into serial digital video (270Mb/s). It conforms to SMPTE272M, extracting from any one of the four groups. Two AES/EBU digital audio streams are produced, giving two stereo pairs. Also provided is an analogue headphone and balanced line output for monitoring either of the stereo pairs. The DMX200 is part of our Series 200 range of products. These can be mounted in a 1U or 3U frame. All the modules in the Series 200 range are eurocard size and can plug into the front of the frame for easy access.

MicroVideo

Copley Hill Farm
Babraham
Cambridge
England, CB22 3GN
t: +44 (0) 1223 834119
f: +44 (0) 1223 834471
w: www.microvideo.co.uk

DMX200

Technical Information

INSERTERS

SWITCHES

CONVERSION

KEYERS

MIXERS

- Inputs:** Serial digital (270Mb/s) with reclocked loop through to EBU Tech 3267-E and SMPTE 259M containing embedded audio to SMPTE 272M-A.
- Outputs:**
SDI: Active loop through (with power fail relay bypass) output on BNC.
Audio: Two AES/EBU digital audio streams conforming to EBU Tech 3250-E (or AES-3-1992) and stereo analogue line level, balanced, low impedance (both on a single 15 way D-type socket). Headphone monitoring, single ended, stereo, low impedance (from front of board). Unbalanced 75R output of the AES/EBU signal is available as an option - contact Microvideo for further details.
- Control:**
DIP switches Select which group is extracted from.
Select channels (1 & 2 or 3 & 4) to convert to analogue for monitoring.
LEDs indicate SDV input presence.
Presence of embedded audio on SDV.
- Physical:** Eurocard size module for mounting in our 1U or 3U frames.
- Power usage:** 8W
- Frames:** Up to 6 modules will fit in a Microvideo 1U frame and 15 in a 3U frame.
- Ordering:**
- | | |
|---------|--|
| DMX200 | De-multiplexer module for AES/EBU digital audio |
| FR1U-20 | 1U rack mounting frame for series 200 cards (dual PSU) |
| FR3U-10 | 3U rack mounting frame for series 200 cards (single PSU) |
| FR3U-20 | 3U rack mounting frame for series 200 cards (dual PSU) |

MicroVideo

Copley Hill Farm
Babraham
Cambridge
England, CB22 3GN
t: +44 (0) 1223 834119
f: +44 (0) 1223 834471
w: www.microvideo.co.uk