

CUEGEN-F

Digital Cue Dot Generator

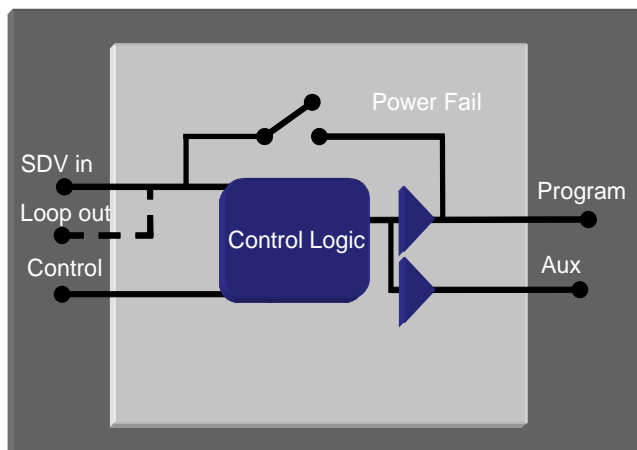
INSERTERS

SWITCHES

CONVERSION

KEYERS

MIXERS



GPI control of dot position and type

Power fail relay bypass

Straightforward operation

Transparent to audio and VBI data

625 / 525 line operation

The Microvideo Cue Generator will generate and insert a cue dot into a video picture. The unit operates entirely in the digital domain, with Component Serial (270Mb/s) input and output.

Two styles of cue dot may be generated. One is the BBC style which is on the left hand side and the other is the IBA style which is on the right and has moving stripes. The CUEGEN-F has the positions and sizes of the dot set in firmware and is programmed during manufacture. The Cue dot is selected and turned on and off through GPI control or through optional RS232/RS422 control.

Inputs: 1 x Serial Digital Video (270Mb/s) to EBU Tech. 3267-E, (SMPTE 259M).

Outputs: 2 x Serial Digital Video (270Mb/s) to EBU Tech. 3267-E, (SMPTE 259M).
'Program' and 'Auxiliary'.
SDV input connects directly to 'PGM' output upon loss of power, 'Aux' is a copy of the program output but is not valid if no power is applied.

Features: IBA Cue Dot. Positioned on right hand side with moving black and white stripes.
BBC Cue Dot. On left hand side consisting of static stripes of white, black, white.
GPI Control with tally output.
Optional RS232 or RS422 remote control and status output.
Transparent to digital audio and other data in the ancillary data space.
Power fail by-pass.
625/525 operation.

Physical: 1U rack mounting unit, 420mm deep

Power usage: 40W

Ordering: CUEGEN-F Digital cue dot generator with fixed positions
-RS232/422 Optional RS232/422 control
-DM Optional dual mains inlet and transformer

MicroVideo

Copley Hill Farm
Babraham
Cambridge
England, CB22 3GN
t: +44 (0) 1223 834119
f: +44 (0) 1223 834471
w: www.microvideo.co.uk